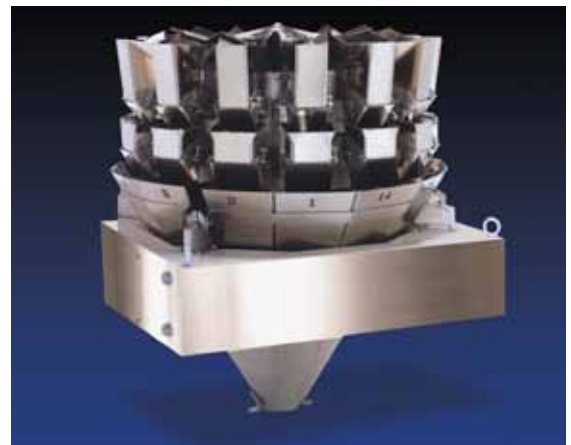


## Produce Packaging Systems & Solutions



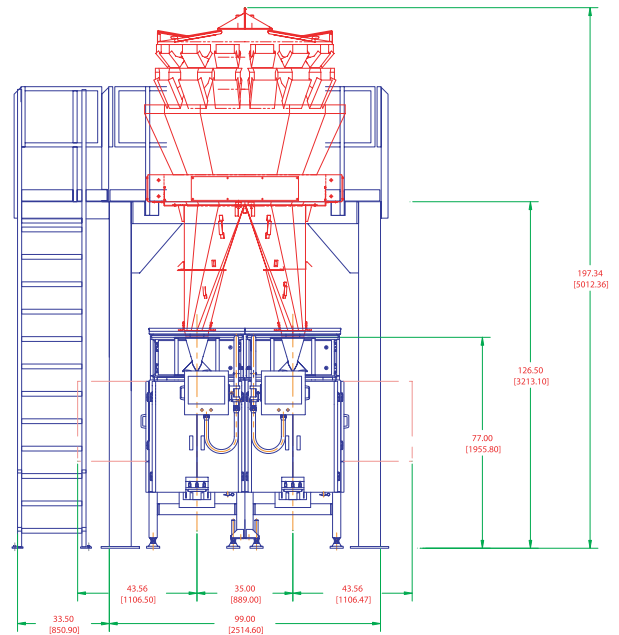
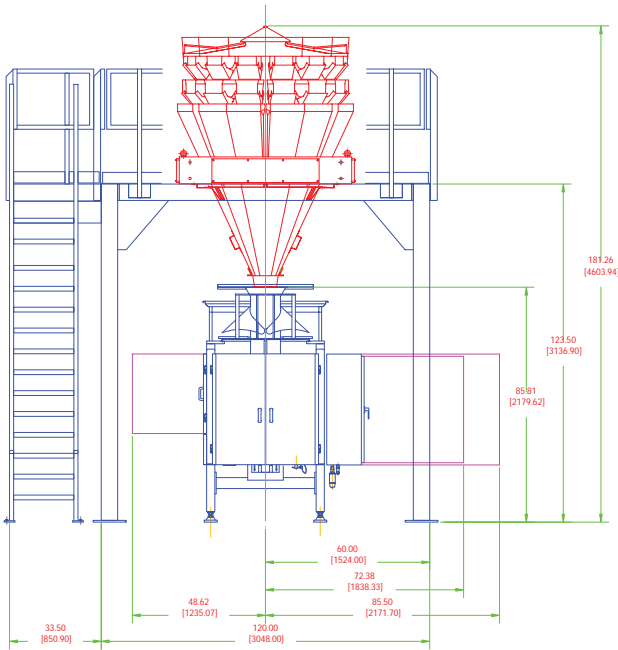
### 100 Years of Innovation in Flexible Packaging

With years of experience providing packaging machinery to the fresh produce industry, Hayssen Packaging Technologies continues a tradition of innovative solutions to this industry's evolving needs.

A wide variety of vertical form/fill/seal machines and microcomputer scales provides choices in machinery to fit any produce application.

Both Intermittent and Continuous Motion Technology are included in Hayssen's Ultima Family of machines.

# Barry-Wehmiller



(Dimensions shown are approximate and subject to change; consult factory for exact figures)

### Ultima TR - Continuous Motion Machine

- Stainless Steel Wash Down Construction
- Servo Motor Driven Technology
- Integrated Top Zip Applicator

### Ultima SU (2 Frame sizes)

- Stainless Steel Wash Down Construction
- Servo Motor Driven Technology
- Integrated Top Zip Applicator

### Ultima SV (3 frame sizes)

- Stainless Steel Wash Down Construction
- Servo Motor Driven Technology
- Integrated Top Zip Applicator

### Ultima ST (3 frame sizes)

- Stainless Steel Wash Down Construction
- Stepper Motor Driven Technology
- Narrow Profile Duplex Twin Tube Model
- Integrated Top Zip Applicator

### Options Available Include:

- Product Squeezer (bag deflation)
- Mechanical Product Stripper
- Electronic Reverse Product Stripper
- Spinach Plunger
- Modified Atmosphere Packaging
- Product Agitator
- Multi-language Operator Interface
- Independently Timed Product Stager

## Hayssen Packaging Technologies

225 Spartangreen Boulevard • Duncan, SC 29334 USA • 864/486-4000  
 16 Roman Way • Thetford, Norfolk IP24 1XB England • + 44 1842 754171  
 Av. José Ma. Castorena 324-118 • Col. Cuajimalpa • 05000 México, D.F. • (52-55) 5813-7770  
 www.hayssen.com • sales@hayssen.com